

## MB4532 SERIES ~ Multilayer Chip Beads / Ferrite Chip Beads

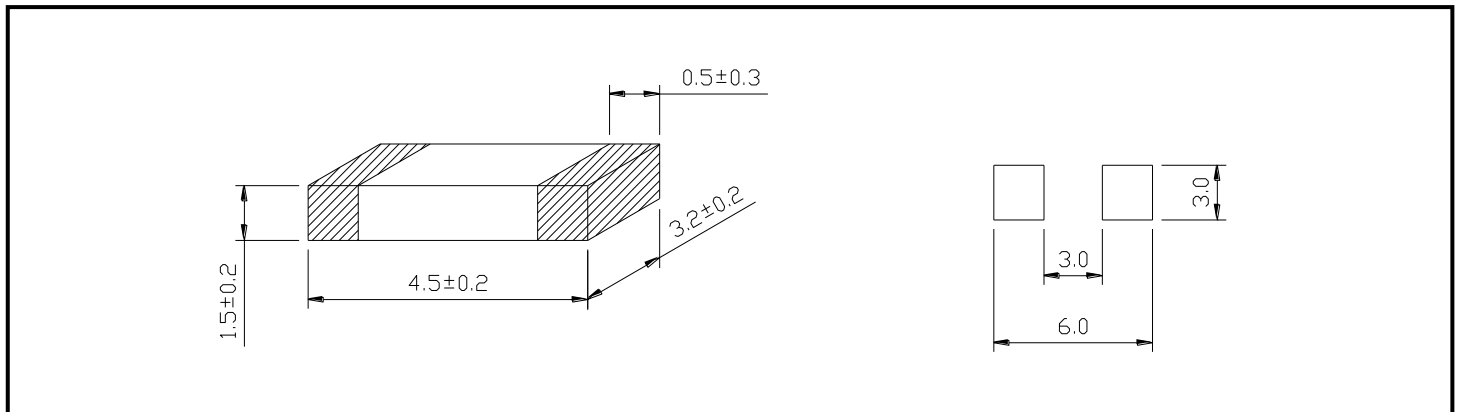


### PART NUMBERING SYSTEM

<b>MB</b>	<b>4532</b>	<b>—</b>	<b>600</b>	<b>—</b>	<b>LF</b>
TYPE	DIMENSIONS		IMPEDANCE		LEAD FREE

### SHAPES AND DIMENSIONS

UNIT : mm



### SPECIFICATION TABLE

PART NUMBER	IMPEDANCE ( $\Omega$ ) at 100MHz	DCR ( $\Omega$ ) (max)	IDC (mA) (max)
MB4532-310-LF	$31 \pm 25\%$	0.10	500
MB4532-600-LF	$60 \pm 25\%$	0.20	500
MB4532-700-LF	$70 \pm 25\%$	0.20	500
MB4532-121-LF	$120 \pm 25\%$	0.20	500
MB4532-151-LF	$150 \pm 25\%$	0.20	500

- Test equipment : Agilent/HP-4291A impedance analyzer or equipment .
- Operating temperature range  $-55^{\circ}\text{C}$  to  $+125^{\circ}\text{C}$  , Electrical specifications at  $25^{\circ}\text{C}$  .

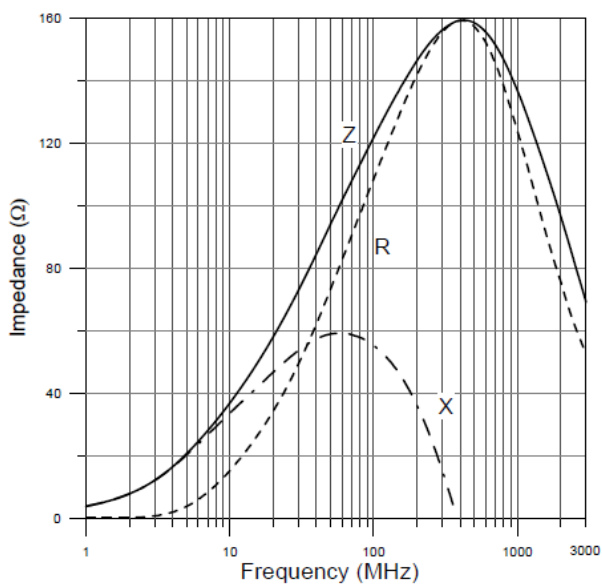


## MB4532 SERIES ~ Multilayer Chip Beads / Ferrite Chip Beads

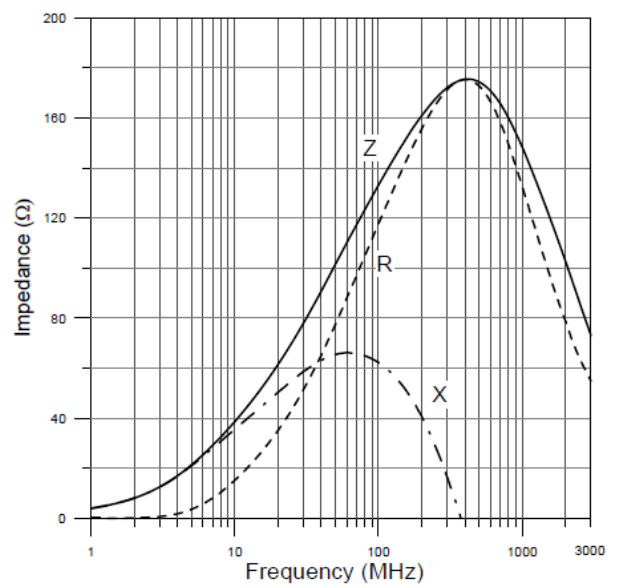


### IMPEDANCE vs FREQUENCY

MB4532-121-LF



MB4532-151-LF

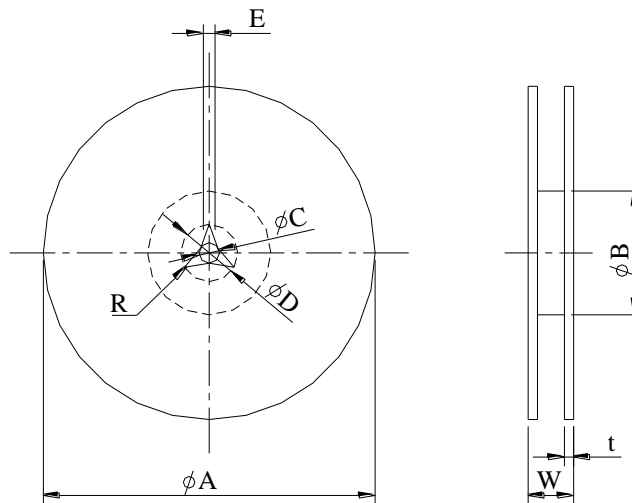




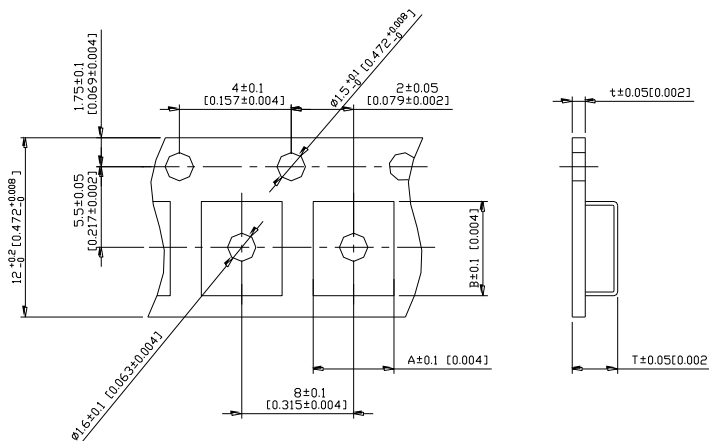
## MB4532 SERIES ~ Multilayer Chip Beads / Ferrite Chip Beads



### PACKAGING SPECIFICATION



	A	B	C	D	E	W8	W12	t	R
T( $\psi 178\text{mm}$ ) Reel	$\psi 178 \pm 2$	$\psi 60 \pm 1$	$\psi 13 \pm 0.8$	$\psi 21 \pm 0.8$	2	$10 \pm 1.5$	$14.5 \pm 1.5$	$1.27 \pm 0.2$	1



TYPE	A	B	T	t	T( $\phi 178\text{mm}$ )	T( $\phi 330\text{mm}$ )
MB4532	3.60	4.90	2.05	0.3	1000 pcs/reel	-